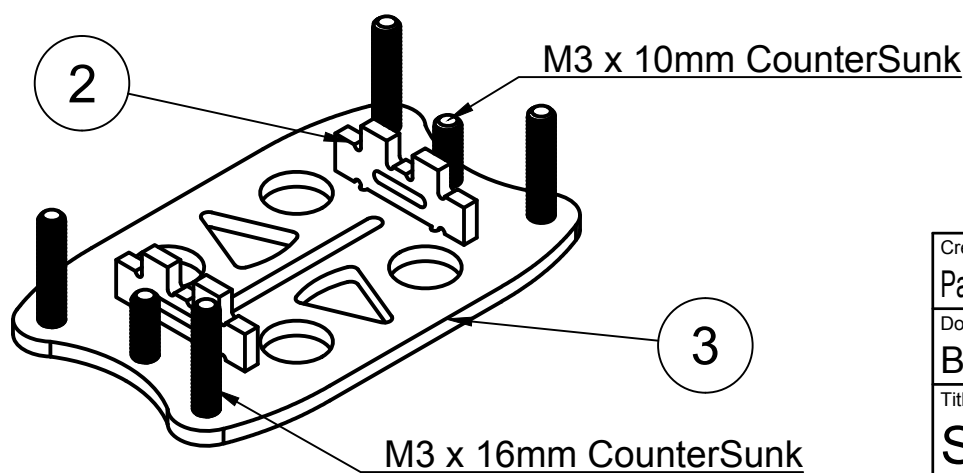
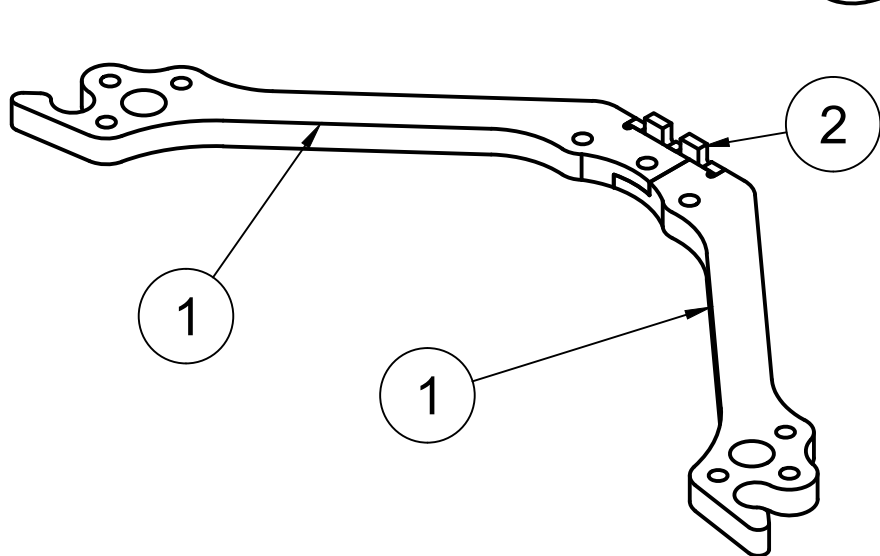
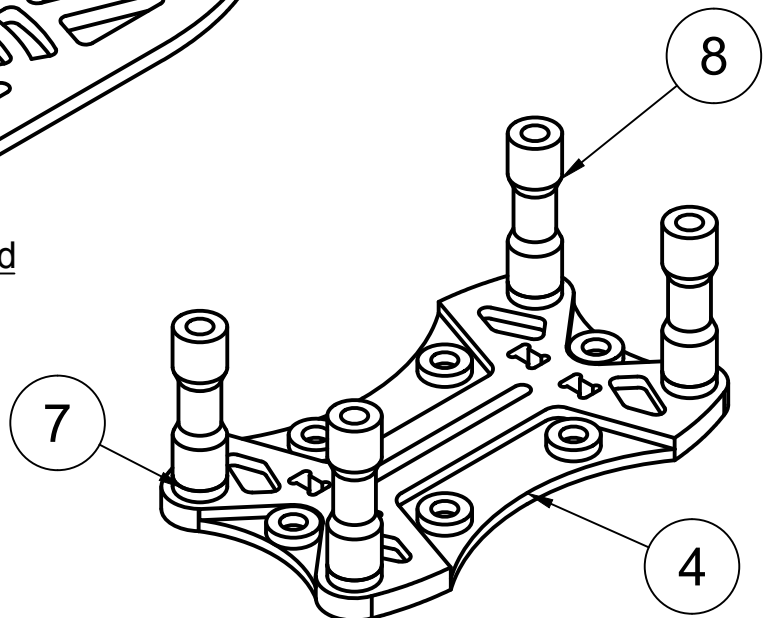
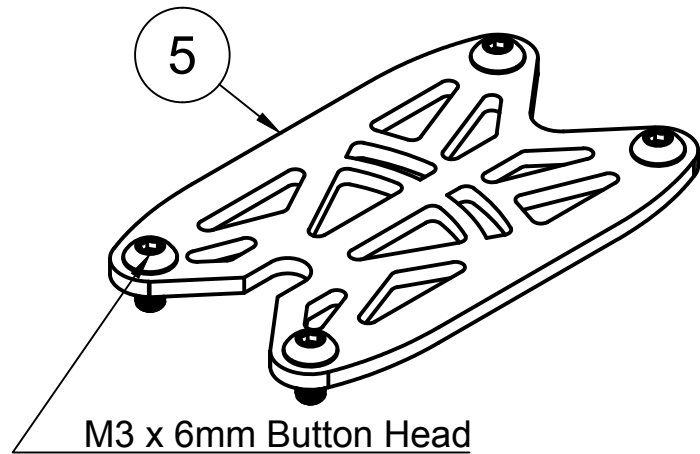
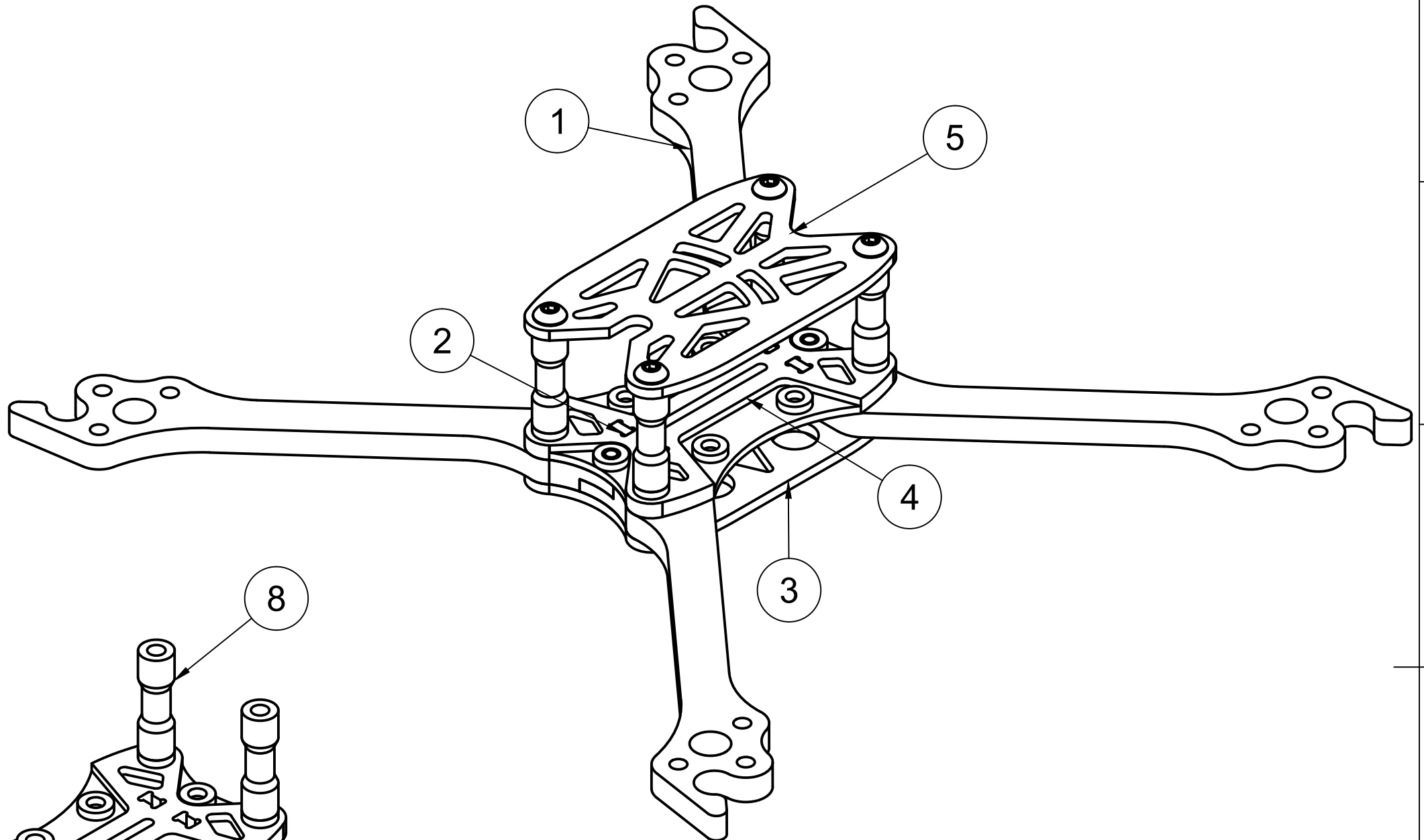


Parts List		
Item	Qty	Part Number
1	4	Arms
2	2	BracePlate
3	1	BottomPlate
4	1	ThickMid_Plate
5	1	TopPlate
6	2	ArmBrace
7	1	SunkNuts
8	4	Standoff 20mm
9	1	Hardware Pack



Created by Pacific Flying Machines 2023/06/30		Approved by Speedy Pizza Drones 2023/07/05	
Document type Build sheet		Document status Released	
Title Slicer SR5 Build Sheet		DWG No. 001	
Rev.	Date of issue	Sheet 1/1	